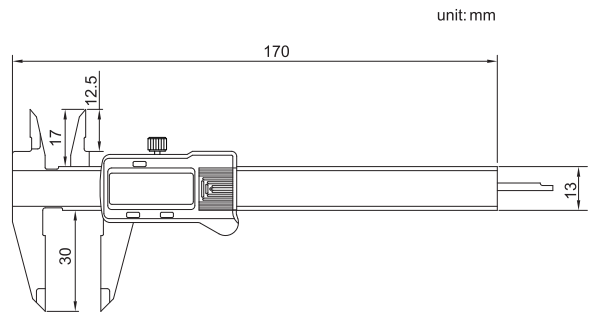


114

MINI DIGITAL CALIPER



- ◆ Resolution: 0.01mm/0.0005"
- ◆ Buttons: on/off, zero, mm/inch
- ◆ Meet DIN862
- ◆ Made of stainless steel



Code	Range	Accuracy
114-004-11	0-100mm/0-4"	±0.02mm

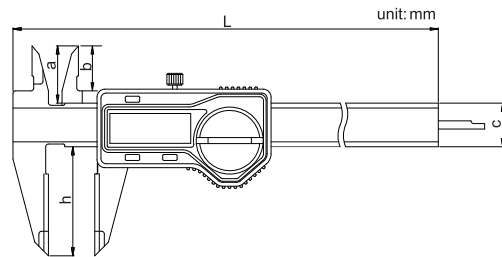
SERIES 115

DIGITAL CALIPER

- ◆ Ceramic tipped jaws for outside measurements, good wear-resistance, non-magnetic, non-conductive
- ◆ Resolution: 0.01mm/0.0005"
- ◆ Buttons: on/off, zero, mm/inch
- ◆ Data output
- ◆ Automatic power on/off
- ◆ Made of stainless steel



115-006-11



Code	Range	Accuracy	a	b	c	h	L
115-006-11	0-150mm/0-6"	0.02mm	21	16.5	16	40	236
115-008-11	0-200mm/0-8"	0.02mm	24	19	16	50	286
115-012-11	0-300mm/0-12"	0.03mm	26	20.5	16	60	400

