

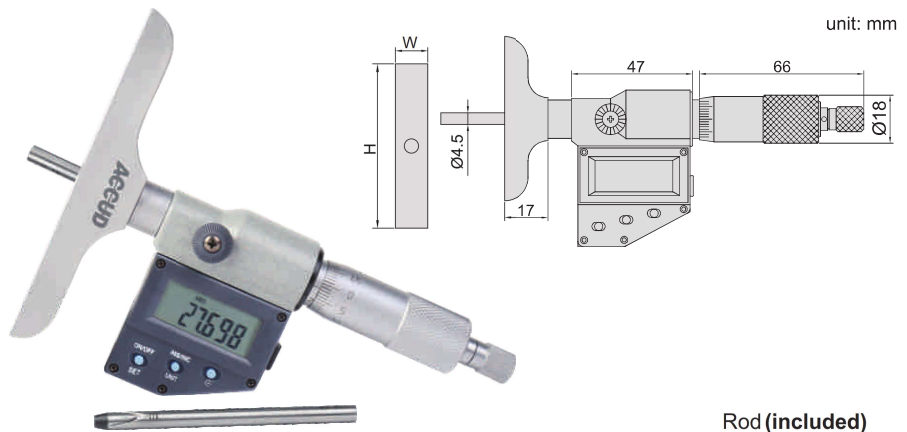


**SERIES 395**

**DIGITAL DEPTH MICROMETER**



- ◆ Resolution: 0.001mm/0.00005"
- ◆ Micrometer head accuracy: +/-3µm  
Rod accuracy: +/- (2+L / 75)µm, L is the measuring range in mm
- ◆ Button: on/off, set, mm/inch, ABS/INC, data output
- ◆ IP54 protection level
- ◆ Data output
- ◆ Automatic power off
- ◆ Rods with flat end
- ◆ Ratchet stop

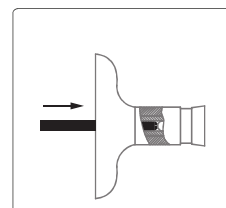
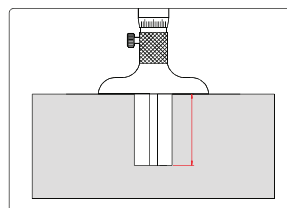


395-002-01

Rod (included)



Code	Range	Base(HxW)	Rod
395-002-01	0-50mm/0-2"	101x17mm	2pcs
395-006-01	0-150mm/0-6"	101x17mm	6pcs
395-012-01	0-300mm/0-12"	101x17mm	12pcs
395-002-02	0-50mm/0-2"	63x17mm	2pcs
395-006-02	0-150mm/0-6"	63x17mm	6pcs
395-012-02	0-300mm/0-12"	63x17mm	12pcs



Install rod