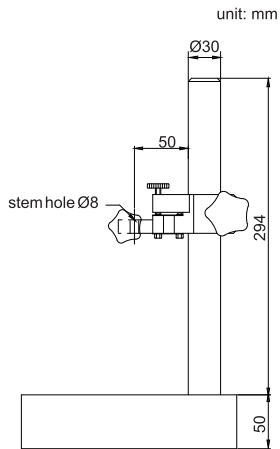


INDICATOR STAND WITH GRANITE BASE

SERIES 289



289-008-01

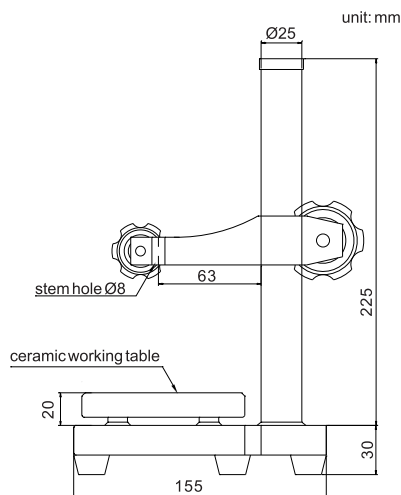
- ◆ Holder vertical travel: 150mm
- ◆ Fine adjustment range: 2mm



| Code | Stem hole | Base flatness | Base size |
|------------|-----------|---------------|-----------|
| 289-008-01 | Ø8mm | 3.2µm | 200x150mm |
| 289-012-01 | Ø8mm | 3.2µm | 300x200mm |

INDICATOR STAND WITH CERAMIC BASE

SERIES 290



290-100-01

- ◆ Working table is made of ceramic
- ◆ Holder vertical travel: 150mm

| Code | Stem hole | Ceramic flatness | Ceramic size |
|------------|-----------|------------------|--------------|
| 290-080-01 | Ø8mm | 1.5µm | Ø80mm |
| 290-100-01 | Ø8mm | 1.5µm | 100x100mm |