

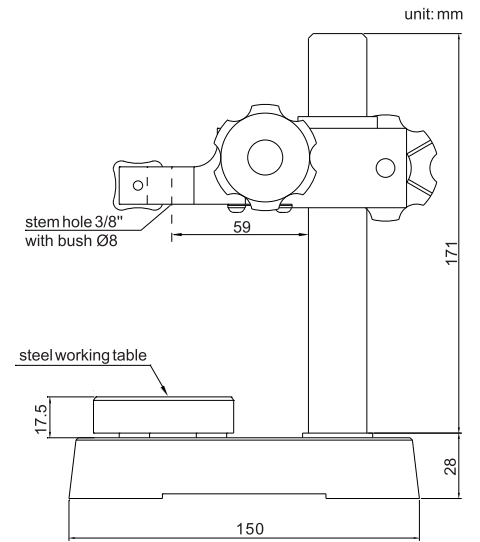
SERIES 294

INDICATOR STAND

- ◆ Working table is made of steel
- ◆ Holder vertical travel: 100mm
- ◆ With fine adjustment: $\pm 1.5\text{mm}$
- ◆ Working table surface hardness is $60\pm 2\text{HRC}$



294-060-11

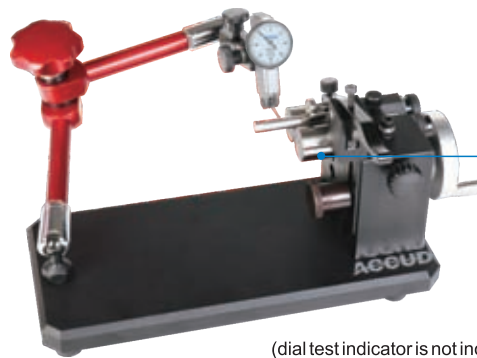


Code	Working table flatness	Working table size
294-060-11	1.5 μm	$\varnothing 60\text{mm}$
294-080-12	1.5 μm	80x80mm

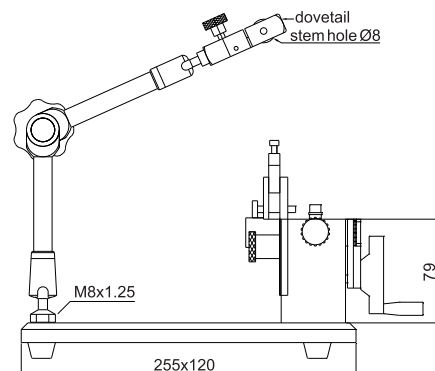
660

CONCENTRICITY GAUGE

- ◆ Optional accessories: dial test indicator (code: 261-002-01 or 261-002-02) and mini magnetic stand (code: 286-040-01)



(dial test indicator is not included)



Code	Applicable diameter	Accuracy
660-001-01	$\varnothing 3\text{-}35\text{mm}$	0.002mm