

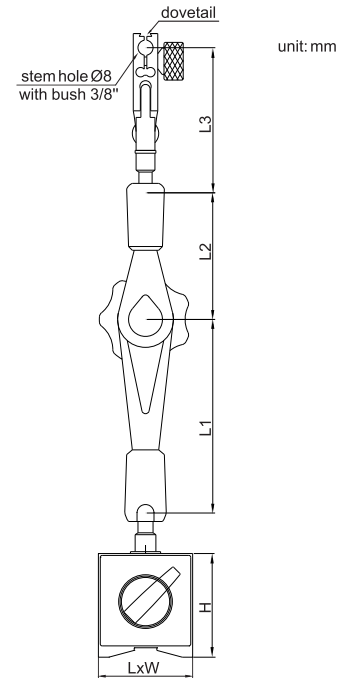
## SERIES 278

## UNIVERSAL MAGNETIC STAND

- ◆ For dial/digital indicators and dial test indicators
- ◆ Super strong arm
- ◆ With fine adjustment and dovetail
- ◆ V-block base



278-080-01



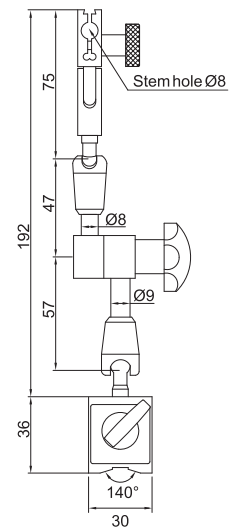
unit: mm

Code	Magnetic force	Base (LxWxH)	L1	L2	L3
278-050-01	50kgf	40x40x40	62	52	79
278-080-01	80kgf	60x50x55	100	67	81
278-100-01	100kgf	73x50x55	145	95	81

## 286

## MINI MAGNETIC STAND

- ◆ For dial test indicators
- ◆ Stem hole: Ø8mm
- ◆ With fine adjustment and dovetail
- ◆ V-block base



unit: mm

Code	Magnetic force	Stem hole
286-040-01	40kgf	Ø8mm