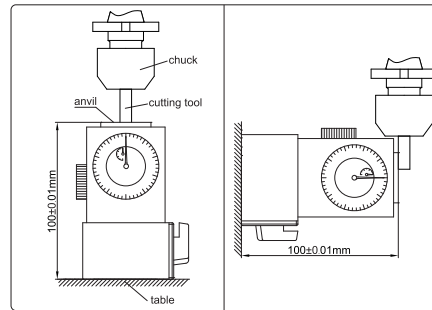
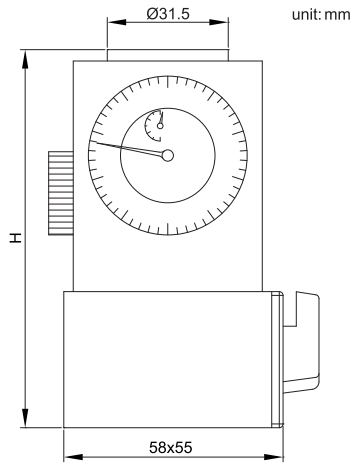


## 696

## ZERO SET

◆ Magnetic base with on-off switch



Code	Height (H)	Accuracy	Force
696-100-01	100mm	±10µm	9N(at 50mm)

## SERIES 280

## 2-PIECE MEASURING TOOLS SET

Code	Include
280-000-02	10mm dial indicator (222-010-11) Magnetic stand (281-060-01)
280-001-02	1 inch dial indicator (225-025-11) Magnetic stand (281-060-01)



280-000-02



packed in aluminium box