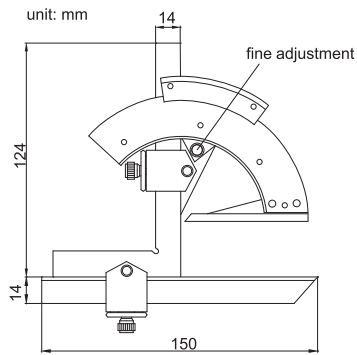


## UNIVERSAL PROTRACTOR

### 814

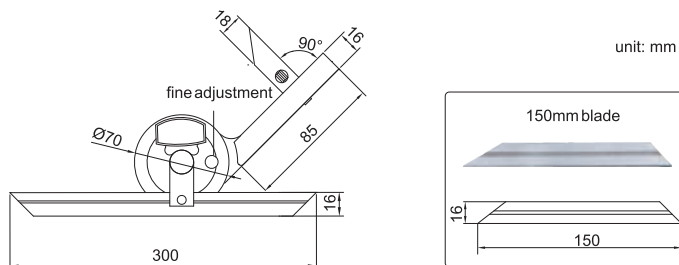


- ◆ Graduation : 2'
- ◆ Made of stainless steel
- ◆ Satin chrome plated scale

Code	Range	Accuracy
814-320-01	0 - 320°	±2'

## UNIVERSAL PROTRACTOR

### 815



- ◆ Graduation : 5'
- ◆ Parallax-free reading
- ◆ With one blade: 150mm
- ◆ Made of stainless steel
- ◆ Optional accessory: clamp for height gages

Code	Range	Accuracy
815-360-01	0 - 360°	±5'