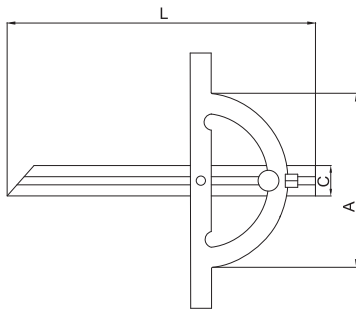


## PROTRACTOR

## SERIES 813



813-006-01

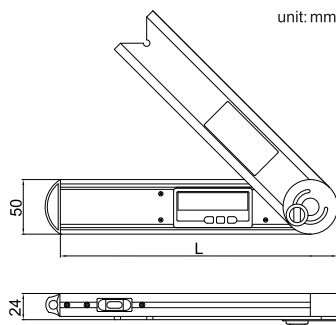


- ◆ Graduation : 1°
- ◆ Made of stainless steel
- ◆ Satin chrome plated scale
- ◆ The blade is moveable

Code	Size (AxL)	Range	Accuracy	C
813-006-01	100x150mm	10 - 170°	±0.3°	18
813-012-01	150x300mm	10 - 170°	±0.3°	18
813-016-01	200x400mm	10 - 170°	±0.3°	20
813-020-01	250x500mm	10 - 170°	±0.3°	20
813-024-01	300x600mm	10 - 170°	±0.3°	20

## DIGITAL PROTRACTOR

## 726



- ◆ Buttons: ON/OFF, HOLD, ZERO, ABS
- ◆ Measuring ranges can be set 0°~225°, -225°~0°, -45°~180°, -180°~45°
- ◆ Remove the locking screw for 360° range
- ◆ With level vial
- ◆ Automatic power off

Code	Range	Resolution	Accuracy	Size (L)
726-360-01	0 - 360°	0.05°	±0.15°	250mm