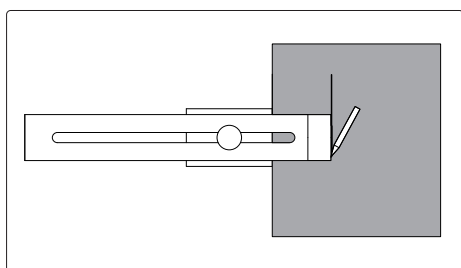
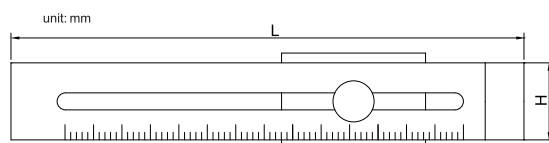


## MARKING GAUGE

## SERIES 992



992-010-01



- ◆ Made of stainless steel
- ◆ Stain chrome finish

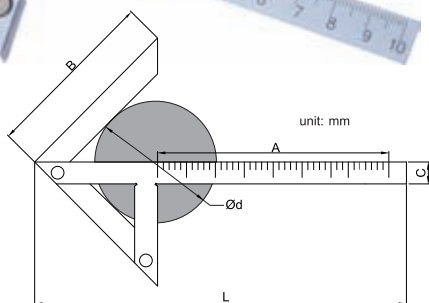
Code	Range	Graduation	Accuracy	H	L
992-008-01	0 - 200mm	0.1mm	±0.1mm	40mm	250mm
992-010-01	0 - 250mm	0.1mm	±0.1mm	40mm	300mm
992-012-01	0 - 300mm	0.1mm	±0.1mm	40mm	350mm

## CENTER MARKING GAUGE

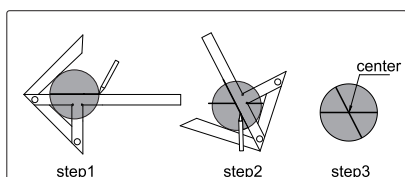
## SERIES 993



993-004-01



- ◆ Find the center of round plates and shafts
- ◆ Made of stainless steel
- ◆ Stain chrome plated



Code	Size (AxB)	Diameter(Ød)	Accuracy	C	L
993-004-01	100x70mm	4 - 90mm	±0.15mm	12	153
993-006-01	150x130mm	4 - 190mm	±0.15mm	15	245
993-008-01	200x150mm	6 - 220mm	±0.15mm	15	310

