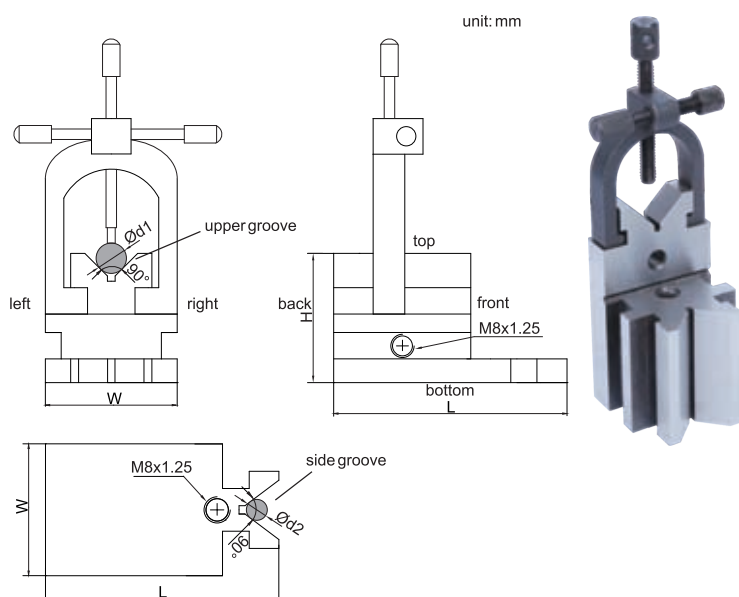


V-BLOCK

639

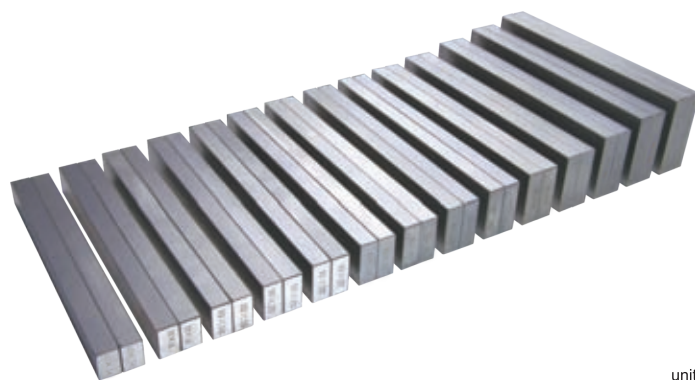


- ◆ Hold cylindrical workpieces for inspection and machining
- ◆ Hardened to HRC60±2

Code	Size (LxWxH)	Range of shafts ($\varnothing d1$ and $\varnothing d2$)	Parallelism of upper groove to bottom, left and right sides	Squareness of upper groove to back side	Parallelism of side groove to back side
639-090-01	90x48x48mm	5-33mm	5 μ m	5 μ m	5 μ m

PARALLEL SET

641



- ◆ Parallelism between top and bottom: 5 μ m
- ◆ Height difference of a matched pair: 5 μ m
- ◆ Hardened to HRC55-60



Code	Parallels per set	Length	Thickness	Height(h)
641-014-01	14 pairs	150	10	14, 16, 18, 20, 22, 24, 26, 28, 30, 32, 35, 40, 45, 50

(mm)