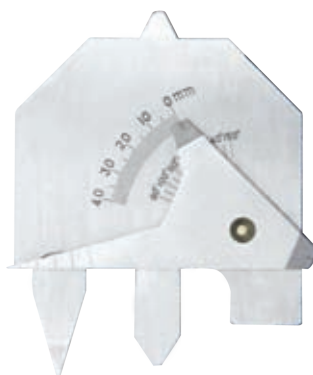


## WELDING GAUGE

### 973

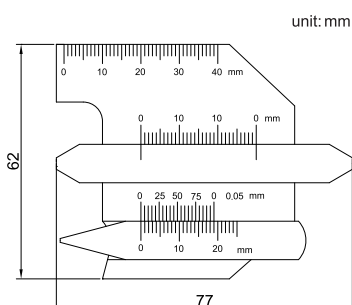


front side



reverse side

- ◆ Made of stainless steel



unit: mm

Code	Application	Range	Graduation	Accuracy
973-014-01	measure crown height	0 - 10mm	1mm	±0.5mm
	measure leg height	0 - 14mm	1mm	±0.5mm
	measure undercut depth	0 - 5mm	0.05mm	±0.05mm
	measure throat size	0 - 13mm	1mm	±0.5mm
	measure weld length	0 - 40mm	1mm	±1mm
	measure angle	90° - 150°	5°	±1°
	measure gap	0.5 - 5mm	1mm	±0.5mm
	measure length	0 - 40mm	1mm	±0.5mm

## WELDING GAUGE

### 974

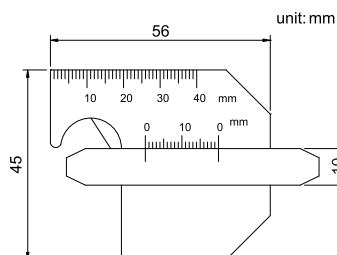


front side



reverse side

- ◆ Made of stainless steel
- ◆ Stain chrome plated surface



unit: mm

Code	Application	Range	Graduation	Accuracy
974-013-01	measure leg length	0 - 10mm	1mm	±0.1mm
	measure leg height	0 - 20mm	1mm	±0.5mm
	measure crown height	0 - 10mm	1mm	±0.1mm
	measure throat size	0 - 10mm	1mm	±0.1mm
	measure angle	0° - 60°	5°	±1°
	measure gap	1 - 3.5mm	0.5mm	±0.5mm
	measure length	0 - 40mm	1mm	±0.5mm